

OPERATION, MAINTENANCE AND SAFETY INSTRUCTIONS

**Model - Brigadier/Lancer
Gas Radiant Convection Room Heater**



IMPORTANT SAFETY INSTRUCTIONS

The OMEGA ALTISE gas space heaters are a manually operated, portable, flueless radiant convection heater for use with Natural gas or Universal LPG.

The heater is supplied with an approved flexible hose.

A label is attached to the rear of the heater stating the type of gas for which it has been manufactured and adjusted.

The heater shall be installed in accordance with the manufacturer's instructions, local gas fitting regulations, uniform building regulations, municipal building codes, AS/NZS 5601 installation code for gas burning appliances and equipment and any other relevant statutory regulations.

The heater is intended to be installed as a free standing portable unit, its portability being restricted by the number of gas outlet points being provided.

DO NOT INSTALL IN A FIREPLACE

Special room ventilation may apply in your particular state. If in doubt, contact your local gas authority. Locations where strong drafts occur should be avoided as they may cause unsatisfactory operation of the heater.

The heater should be installed at least 1 meter from flammable materials, e.g. curtains, and to be 150mm clear of sidewalls.

This appliance is not intended for use by persons (including children) with reduced physical, sensory or mental capabilities, or lack of experience and knowledge, unless they have been given supervision or instruction concerning use of the appliance by a person responsible for their safety.

Children should be supervised to ensure that they do not play with the appliance.

SERVICING SHALL ONLY BE CARRIED OUT BY AUTHORIZED PERSONS

If the supply cord is damaged, DO NOT use the appliance, it must be replaced by the manufacturer, its service agent or similarly qualified persons in order to avoid a hazard.

NOT TO BE CONNECTED TO AN U.L.P GAS CYLINDER LOCATED INDOORS

ELECTRICAL AND GAS CONNECTION MUST BE MADE AS PER LOCAL WIRING AND GAS INSTALLTION REGULATIONS.

DO NOT DISCONNECT THE APPLIANCE WITH WET HANDS OR BARE FEET

DO NOT DISCONNECT THE POWER CORD WITH EXTREME FORCE

TO BE INSTALLED BY AN AUTHORIZED PERSON IF CONNECTING TO FIXED CONSUMER PIPING

DO NOT place articles on or against this appliance.

DO NOT use or store inflammable materials near this appliance.

DO NOT spray aerosols in the vicinity of this appliance while it is in operation.

DO NOT use this appliance in a marine environment.

DO NOT connect to an U.L.P Gas Cylinder located indoors.

DO NOT modify this appliance.

DO NOT use this appliance outdoors.

NOTE:

This appliance has been fully function tested prior to packaging.

No adjustment is required or available to the user.

No installation is required apart from connection to gas and electrical supplies. (Fig. 1)

GENERAL HEATER PARTS

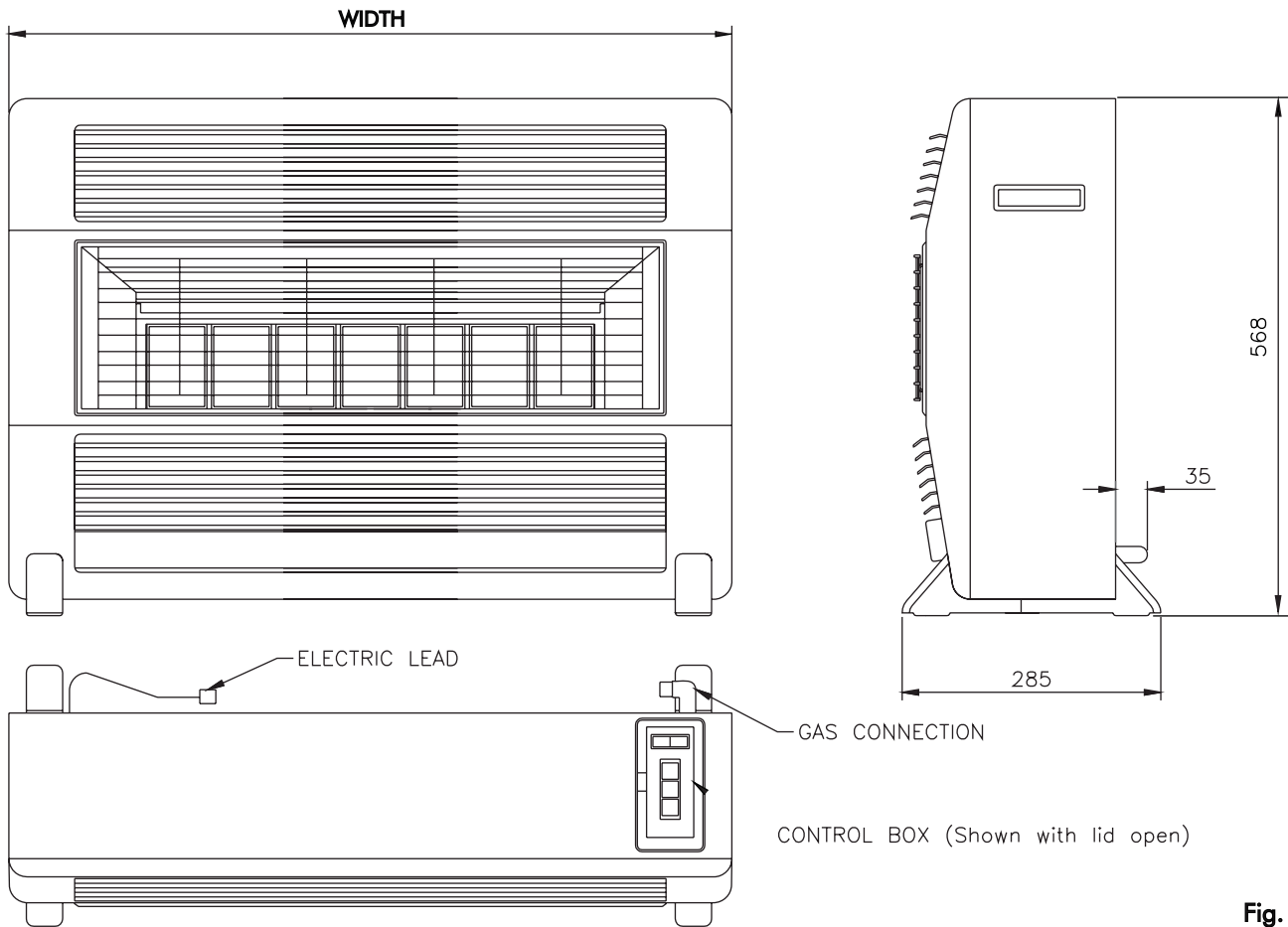


Fig. 1

*Electrical connection located 70mm in from Left Hand Side of Gas Space Heater

MODEL	WIDTH	NUMBER OF TILES
BRIGADIER	796	7
LANCER	604	4

GAS SUPPLY DATA

Refer to the rating label attached to the rear of each appliance, the gas supply data as well as the gas type for which the heater has been tested and adjusted for is shown.

BRIGADIER

Gas Type	NG	ULPG
Nom. Gas Consumption (MJ/h)	25	25
Test Point Pressure (kPa)	0.89	2.55
Main Burner Injector (mm)	0.89	0.54
Pilot Injector (mm)	0.34	0.20

LANCER

Gas Type	NG	ULPG
Nom. Gas Consumption (MJ/h)	15	15
Test Point Pressure (kPa)	0.89	2.55
Main Burner Injector (mm)	0.89	0.54
Pilot Injector (mm)	0.34	0.20

OPERATING INSTRUCTIONS

GAS SUPPLY

Your heater is fitted with a flexible hose and bayonet coupling which enables you to connect or disconnect it from the gas supply.

TO CONNECT

Insert the coupling end into the wall bayonet fitting firmly and rotate the knurled section clockwise to it's locked position.

TO DISCONNECT

Apply firm forward pressure to the knurled area, rotate anti clockwise and pull towards you. The hose should now come away from the wall bayonet fitting. Gas is automatically isolated when the hose is disconnected.

ELECTRICAL SUPPLY

Your heater is fitted with a power supply lead, which should be connected to a standard domestic socket.

POWER FAILURE

Your OMEGA ALTISE heater will operate normally in the event of a power failure. Should the power fail while the heater is operating, the fan will stop. There is however, no need for concern as your heater has been designed to operate satisfactorily with the fan off. Should you wish to ignite your heater during a power failure, follow the instructions under Manual Ignition. Note: If your heater has been disconnected for some time, there will be air in the flexible hose. It will therefore take a little longer to ignite when you first turn it on.

MANUAL IGNITION

The heater may be manually lit by opening the dress guard (see Cleaning) and while holding down the ignition button, apply a lighted long-reach match or taper to the pilot. The ignition button needs to be held down for 20 seconds to allow the valve to lock in. Close up the dress guard as described in the cleaning section.

ABNORMAL OPERATION

As the heater heats up or cools down, expansion or contraction takes place and the occasional 'click' may be heard. This is normal, however, continuous metallic noises, grinding sounds, the smell of gas or any of the symptoms listed on the fault finding chart should be investigated immediately. Turn the appliance off and disconnect the gas and electrical supplies. If the fault cannot be fixed or any doubts exist, contact your nearest OMEGA ALTISE service agent or contact OMEGA ALTISE on the telephone number on the rear page of this booklet.

CONTROLS

The heating controls and fan switches are located under a lid situated on the top right hand side of the heater. Lighting instructions are affixed to the underside of the lid.

FAN AND FAN SWITCH

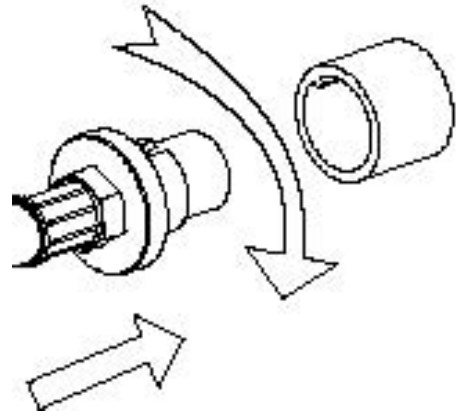
The two-speed fan is controlled by the fan switch in the control box, and, as indicated on the control box lid label, the switch has three positions, slow, off and fast.

Selection of slow or fast fan speed in conjunction with High, Medium or Low heat settings is determined by personal choice and/or heating requirements at the time.

GAS CONNECTION

The bayonet plug on the factory fitted flexible hose simply plugs into your home bayonet fitting by pushing and rotating 1/4 turn clockwise.

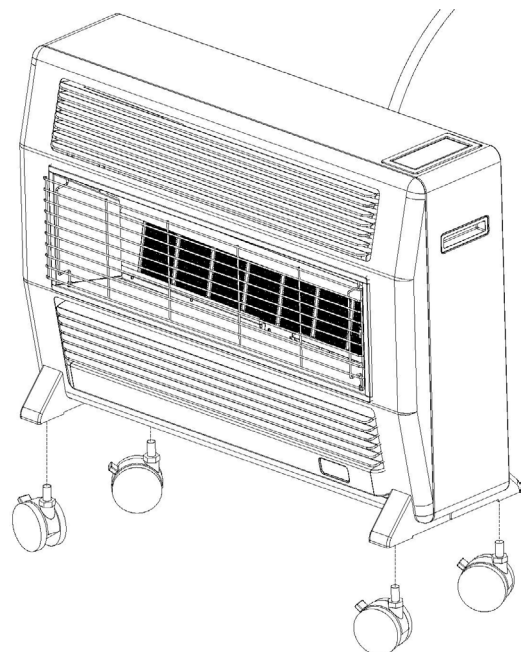
To disconnect, rotate the bayonet plug counter clockwise and gently remove from the wall fitting.



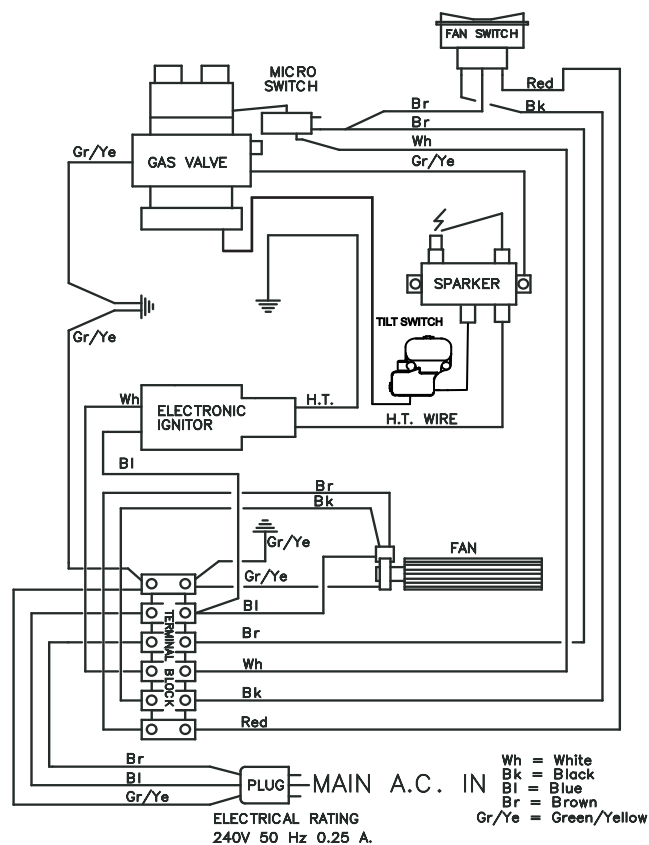
CASTORS

Lay the unit gently on its back and push the castor's into place in the slots. The castor's will click when they are located.

NOTE: Not all units are supplied with castors.



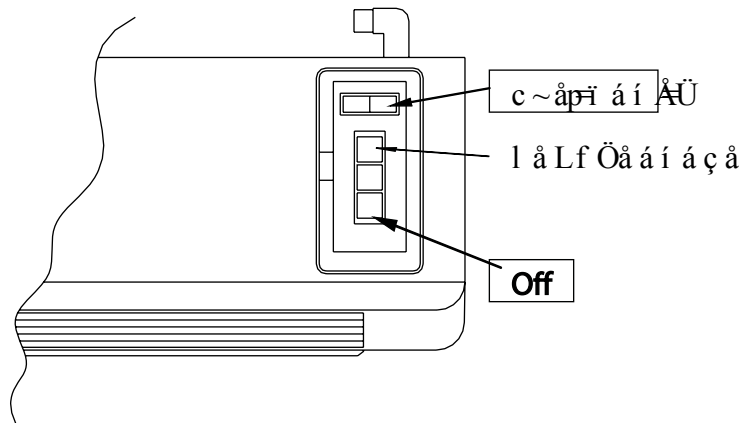
WIRING DIAGRAM



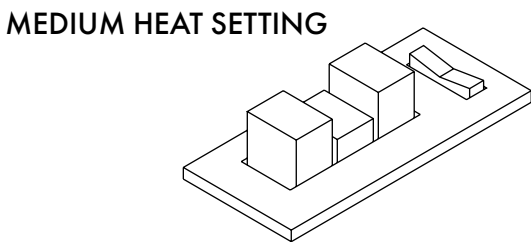
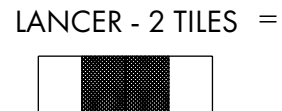
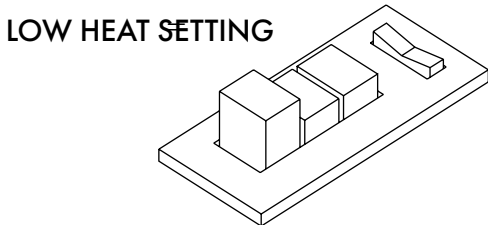
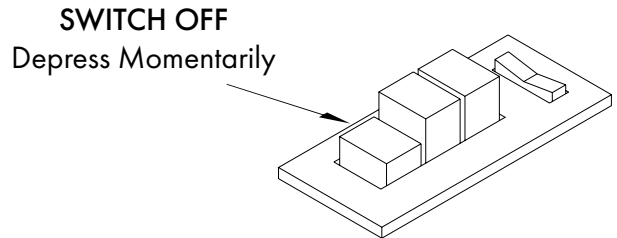
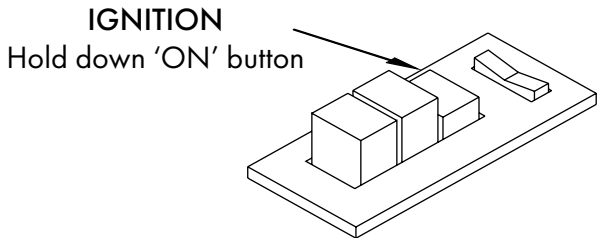
OPERATING INSTRUCTIONS

LIGHTING INSTRUCTIONS

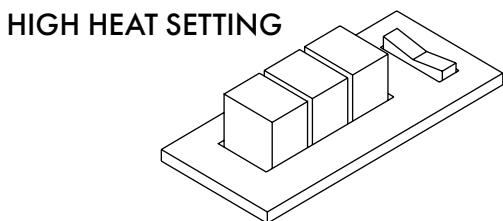
Open the control box lid, depress and hold down the 'ON/IGNITION/LOW' button. This button operates the sparker, which in turn ignites the pilot flame and the low setting burner. It is necessary to hold down the 'ON/IGNITION/LOW' button firmly for at least 20 seconds to allow the gas valve to 'lock in'. If the burner fails to light, repeat the ignition sequence described above.



The ON/IGNITION/LOW button and the MEDIUM/HIGH button each have two operating positions, which provides three heat settings.



LANCER - NOT APPLICABLE



Low, medium and high settings can be obtained by setting the buttons set as shown in the diagrams above. If you depress the button firmly and it remains in the half way position, a second depression will return it to the fully up position.

Please Note:

Discolouring of the heater tile face is a natural effect of the gas combustion process.

WARNINGS



- DO NOT OPERATE THIS APPLIANCE BEFORE READING THE INSTRUCTION BOOKLET
- DO NOT PLACE ARTICLES ON OR AGAINST THIS APPLIANCE
- DO NOT STORE CHEMICALS OR FLAMMABLE MATERIALS OR SPRAY AEROSOLS NEAR THIS APPLIANCE
- DO NOT OPERATE WITH PANELS, COVERS OR GUARDS REMOVED FROM THIS APPLIANCE
- DO NOT OPERATE IN A BATHROOM OR BEDROOM
- DO NOT OPERATE IN AN UNVENTILATED ROOM
- DO NOT OPERATE IN A ROOM WITH A VOLUME LESS THAN THAT SHOWN IN THE TABLE BELOW
- DO NOT CONNECT TO AN U.L.P GAS CYLINDER LOCATED IN DOORS

MINIMUM ROOM SIZE PER MODEL

MODEL	ROOM VOLUME (NG or ULPG) =
Brigadier (25MJ/h) =	125m ³ =
Lancer (15MJ/h)	75m ³ =

CLEANING

IMPORTANT: Disconnect gas and electrical supplies before cleaning any internal surfaces. Malfunctions caused by excessive linting or dust build up will not be covered under warranty.

Warning: Regular cleaning will not remove the requirement for regular servicing by authorised personnel. The outer surfaces of the heater should only be cleaned or dusted with a damp cloth. Access to the area in front of the tiles is achieved by opening the dress guard as follows.

Using both hands, simultaneously apply upward pressure at the bottom left and bottom right of the dress guard, as indicated in FIG 2, and lift up until the wire rods come out of their locations. Ease the bottom of the dress guard forward of the front edge of the reflector and pull down as far as it will go (about 2cms). Pivot the dress guard up until enough space for access is achieved. The dress guard is not removable nor will it open right up. This has been designed like this for safety reasons.

To close the dress guard to its correct position, pivot it back down, lift it up and guide the ends of the wire rods back over their location holes then push down firmly to secure the dress guard in place.

Cleaning the area in front of the tiles must be done with great care as the burner tiles are fragile and are very easily damaged.

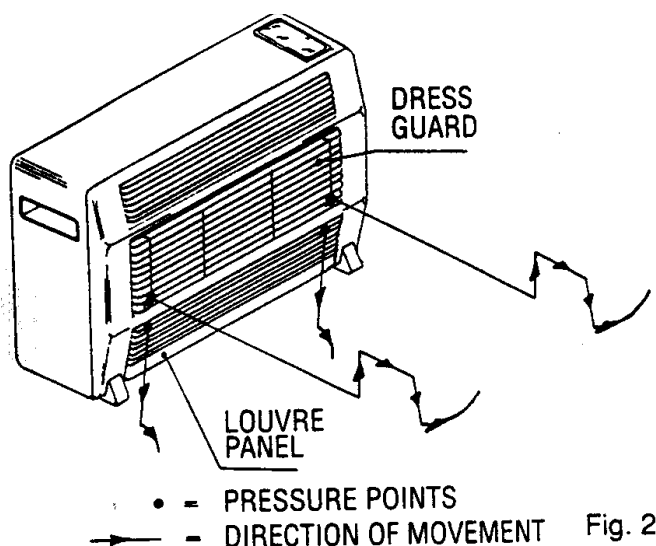
Access to the underneath of the heater is gained through the lower louvre panel. This panel is hinged at the bottom and is opened by gripping the top louvre blade about 3cms in from each end, pushing down and pulling out (see FIG 2).

This area needs particular attention and should be gently vacuumed out from time to time. The frequency depends greatly on the environment that the heater is used in, the more furnishings and carpets that are in close proximity to it, the more frequent the cleaning. A check should be made once every month and when dust and fluff become apparent, it should be gently vacuumed out. The fan blades may be rotated by hand whilst vacuuming to ensure all fluff etc, is removed.

DRESS GUARD

The guard is fitted to this appliance to reduce the risk of fire or injury from burns and no part of it should be permanently removed.

FOR PROTECTION OF CHILDREN OR THE INFIRM, A SECONDARY GUARD IS REQUIRED.



FAULT FINDING

<i>SYMPTOM</i>	<i>POSSIBLE CAUSE</i>	<i>REMEDY</i>
Spark failure	(1) Faulty igniter (2) Incorrect spark gap (3) Loose or faulty connections	Replace Reset to 4.5mm Check with meter
Failure to ignite even with spark present	(1) No gas (2) Incorrect injectors (3) Incorrect gas type (4) Air in gas lines (5) Faulty thermocouple (6) Faulty tilt switch	Check supply Replace injectors Check gas for which unit was intended Purge all lines Replace ODS Replace
Dull or uneven burners	(1) Partially blocked injectors (2) Burner venturi blocked (3) Dirty burner tiles	Clean or replace injectors Check and clean Clean with compressed air
Burner flashing back	(1) Cracked burner tile (2) Faulty or incorrect injector (3) Injector loose	Replace Replace injector Tighten
Very high pilot flame	(1) Pilot ports partially blocked	Clean with compressed air or a vacuum cleaner

Please Note:

Discolouring of the heater tile face is a natural consequence of the gas combustion process.

SERVICING

Servicing shall be carried out, only by an authorised person. OMEGA ALTISE recommends that this Radiant Heater be serviced every 24 months to ensure the heater continues to operate in a safe and at its optimum condition.

This is part of general maintenance and any costs incurred are not covered by warranty.

If the unit fails to ignite after following these instructions, contact your authorised OMEGA ALTISE service centre.

A division of Shriro Australia Pty Ltd
104 Vanessa St Kingsgrove NSW 2208
In Australia: 1300 795 572
In New Zealand: (09) 415 6000
www.omegaltise.com

IM Rev: 1.1

omega
altise